

LIMBACH **L2400 DF/EFi** - liquid cooled

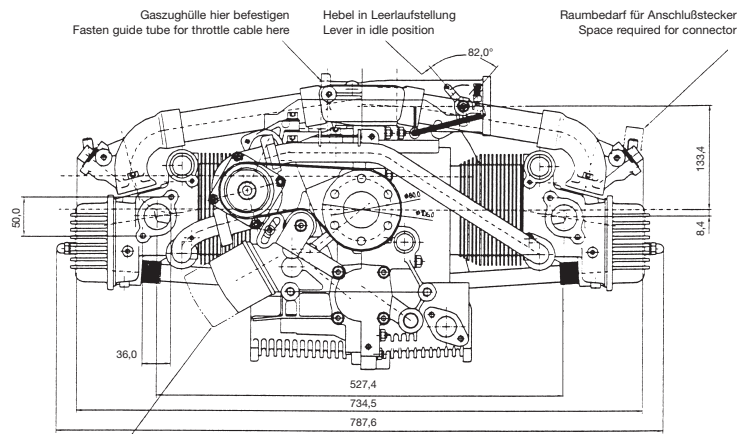
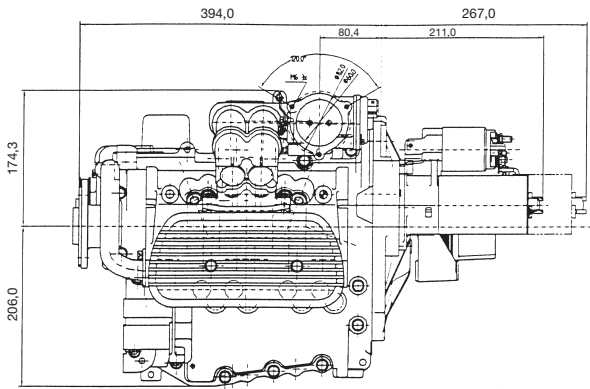
Four cylinder, horizontally opposed engine, with liquid cooled cylinderheads, electronic fuel injection and dual (DF only) ignition system, automatic altitude compensation, wet sump pressure lubrication

Maximum Power	74 kW (100 HP)/3000 rpm	Oil temperature	max. 120 °C; min. 50 °C
Bore	97 mm/3.82 inch	Oil capacity	3.5 ltrs
Stroke	82 mm/3.23 inch	Coolant temperature	max. 110 °C
Displacement	2424 cm ³ /147.91 cub. in.	Coolant capacity	approx. 3 ltrs
Compression ratio	9.5 : 1	Tachometer drive	Electric signal
Ignition	Electronic engine management	Propeller drive	direct anti-clockwise
Spark plugs	NGK DCPR 7 E	Propeller hub	for variable pitch propeller
Electrode spacing	0.7 mm	Dry weight approx.	76 kg, plus accessories
Firing Order	1 - 3 - 2 - 4	Fuel consumption	265 g/kWh at WOT
Firing point	variable, memory mapped	LBA Type certificate	245 g/kWh at part throttle
Injectors	4 x Weber		No. 4607 (JAR 22-H)
Fuel min. octane	98 RON (Unleaded)/AVGAS 100 LL		
Air cleaner	LIMBACH		
Fuel pump	2 x electric 2.5 bar		
Starter with solenoid	12 V - 1.0 kW		
Generator	14 V - 33/55 A		
Oil pressure	max. 7 bar; min. 1 bar at 2500 rpm		

Limbach Flugmotoren GmbH & Co.KG
 Kotthausener Straße 5
 D-53639 Königswinter-Sassenberg
 Tel. ++49-2244/9201-0
 Fax ++49-2244/9201-30
 E-Mail: sales@limflug.de
www.limflug.de

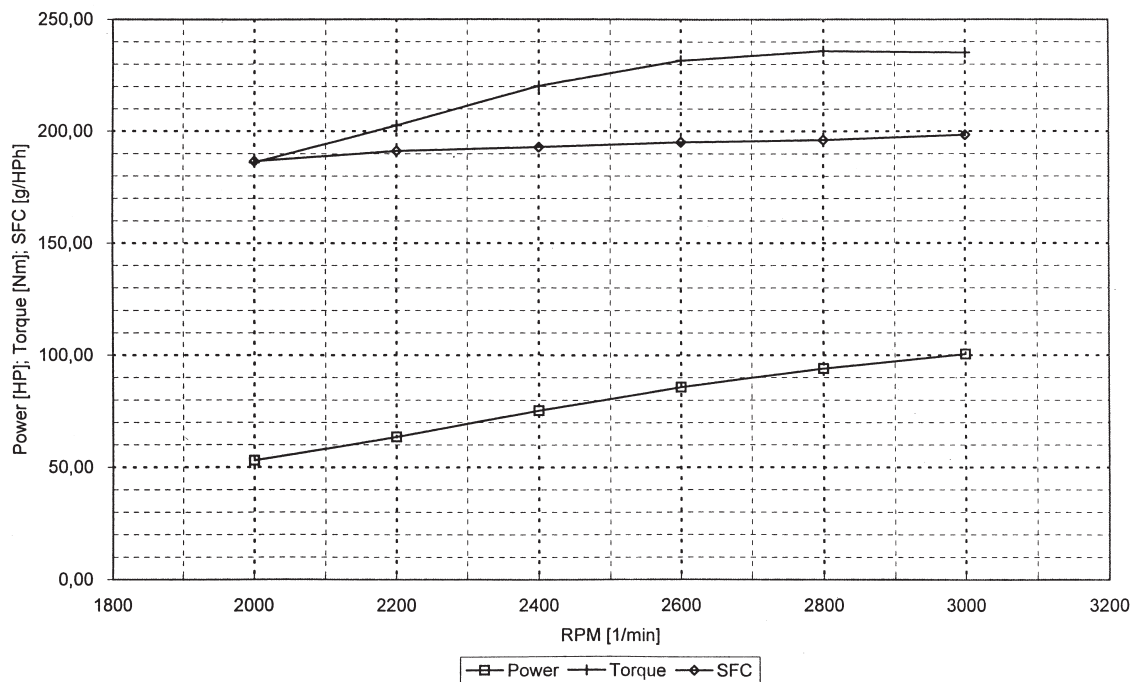
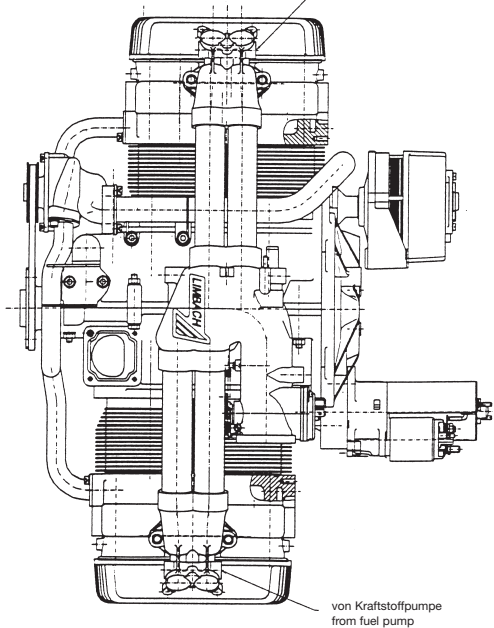
Anwendung und Vertriebspartner:
KORFF + Co.KG.
 63188 Dietzenbach
 Dieselstraße 5
 Tel. 06074-40 06-0
 Fax 06074-40 06 30





Kraftstoffrücklauf zum Druckregler
Fuelreturn to pressure regulator

Position des Ölfilters bei optionalem Ölkühleradapter
Position of oil filter with optional oil cooler adapter



Limbach Flugmotoren
GmbH & Co.KG

Kotthausener Straße 5
D-53639 Königswinter-Sassenberg
Tel. ++49-2244/9201-0
Fax ++49-2244/9201-30
E-Mail: sales@limflug.de
www.limflug.de

Anwendung und Vertriebspartner:
KORFF + Co. KG.
63188 Dietzenbach
Dieselstraße 5
Tel. 060 74-40 06-0
Fax 060 74-40 06 30

